

Iseo Serrature s.p.a
Via San Girolamo 13
25055 Pisogne (BS)
ITALY
Tel. +39 0364 8821
iseo@iseo.com

ELECTRONIC SUPPORT SERVICE
iseozero1.com



Download
User Manual



app.iseo.com

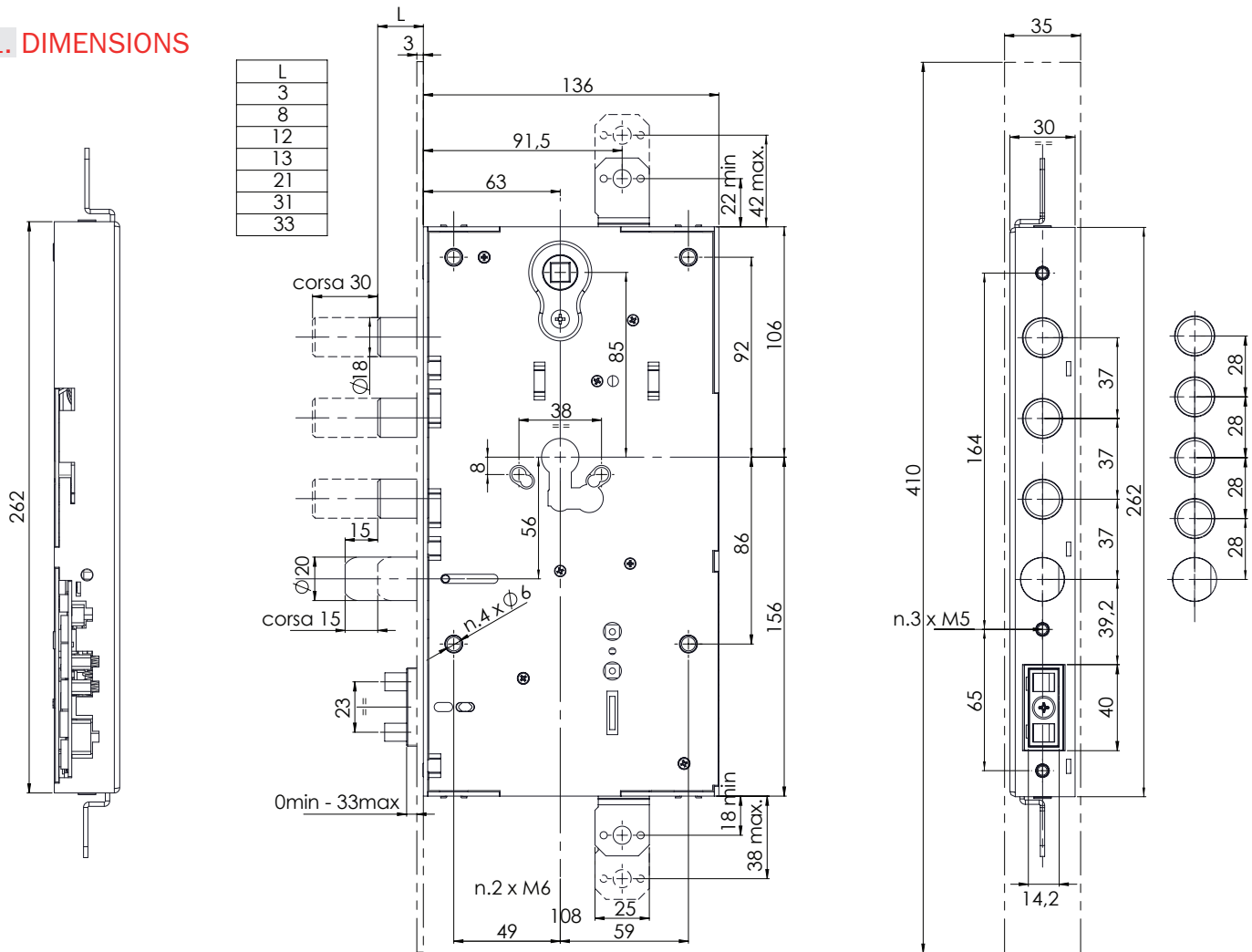
WARNINGS



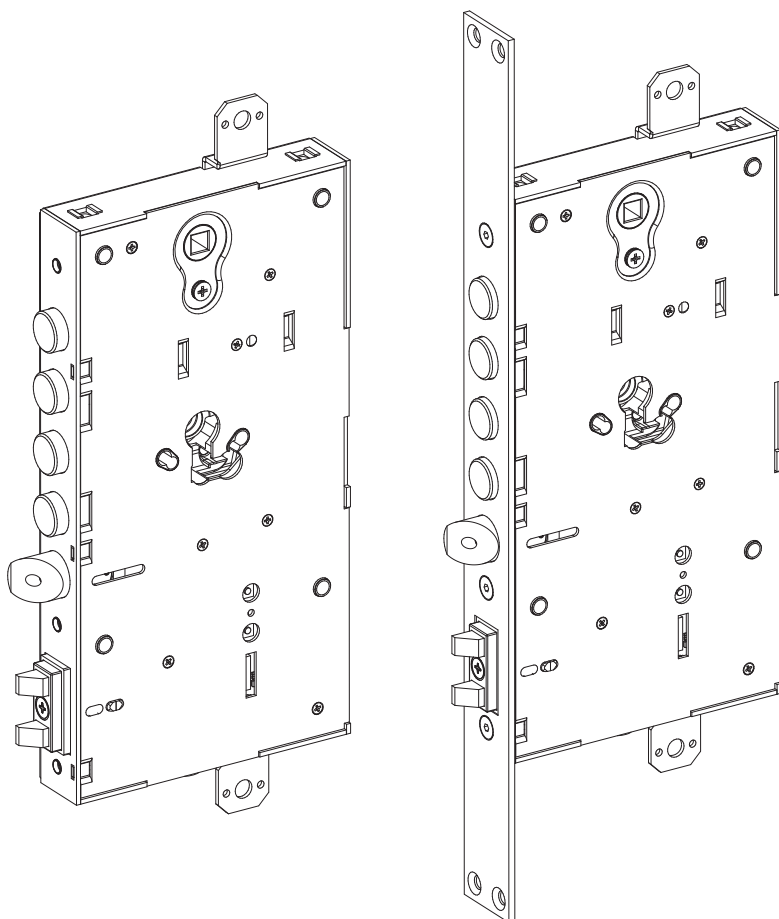
When you switch on X1R Smart for the first time, the lock automatically updates, if necessary, connected devices: external and internal control modules and the Bluetooth radio module. This operation can take up to 50 seconds and it is indicated by the orange led on the external module continuously flashing. **Do not switch off X1R Smart during this operation** and do not press any button or disconnect any cable, in order to avoid device malfunctions.

- Read this manual prior to use the device in order to ensure a safe and proper use.
- Preserve this manual as future reference.
- The installation of the device requires the intervention of qualified staff, adequately trained by ISEO.
- The instructions should be carefully followed during installation. These instructions and any maintenance instructions should be passed on by the installer to the user.
- The product can be destined only for the use for which it was expressly made and, therefore, as an armored door lock for civil and industrial locations. Any other use is to be considered improper and dangerous.
- Do not work on the door with the lock installed in order to prevent wood or metal residue getting into the lock.
- Distance between striking plate and latch tip, completely in (from both motor or key), must be between 2 and 3mm.
- Handle must not have any friction during the return phase.
- Connecting rods must have a play of at least 1 millimeters so that the deadbolt does not remain subjected to traction in the rest position. This would compromise in fact the latch to be correctly released when recalled by key.
- Connect the “remote opening command” input to 8÷30Vdc/ac power supply source (opto-insulated input).
- To use the “door status” internal relay (30Vdc - 1A / 125Vac - 0,3A MAX), an external power supply source is mandatory. Fit therefore a cable gland to allow the cable to pass through the hinge side of the door
- Electrical connections must be done according to the manufacturer’s instructions and in compliance with the current regulations.
- When using a feeder as a direct power supply source (8÷30Vdc/ 30W MAX), fit a cable gland to allow the cable to pass through the hinge side of the door.
- **Single Action** version allow to withdraws bolts and latch by handle at the same time. **Standard** version allow to withdraws only the latch by handle.

1. DIMENSIONS

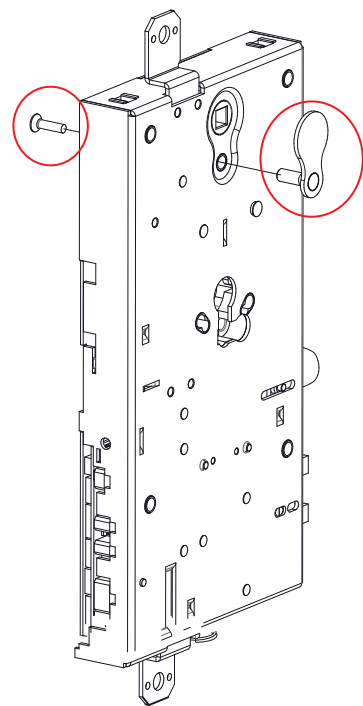


2. VERSIONS

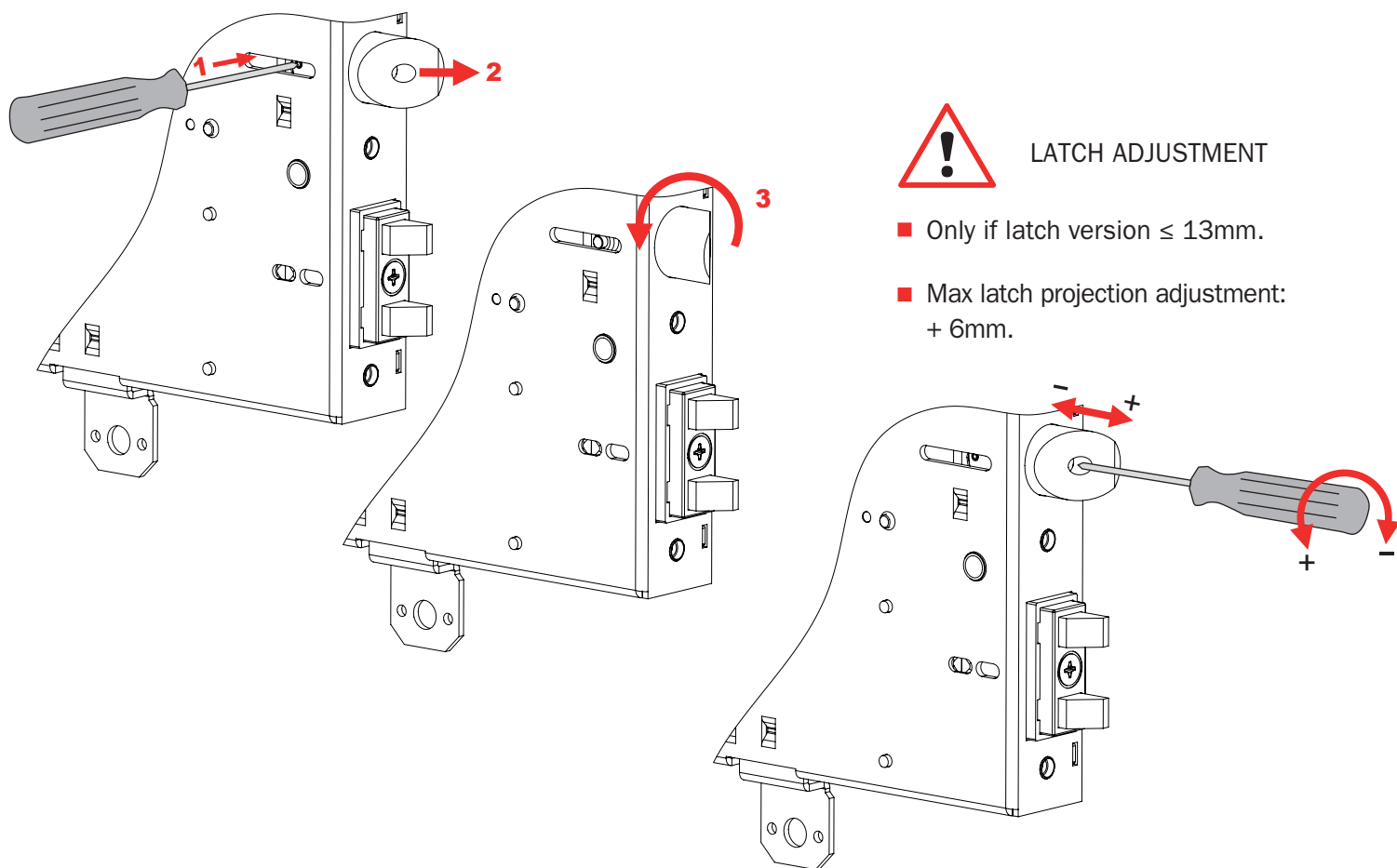


To find all available versions and related codes, check the IseoZero1 catalogue.

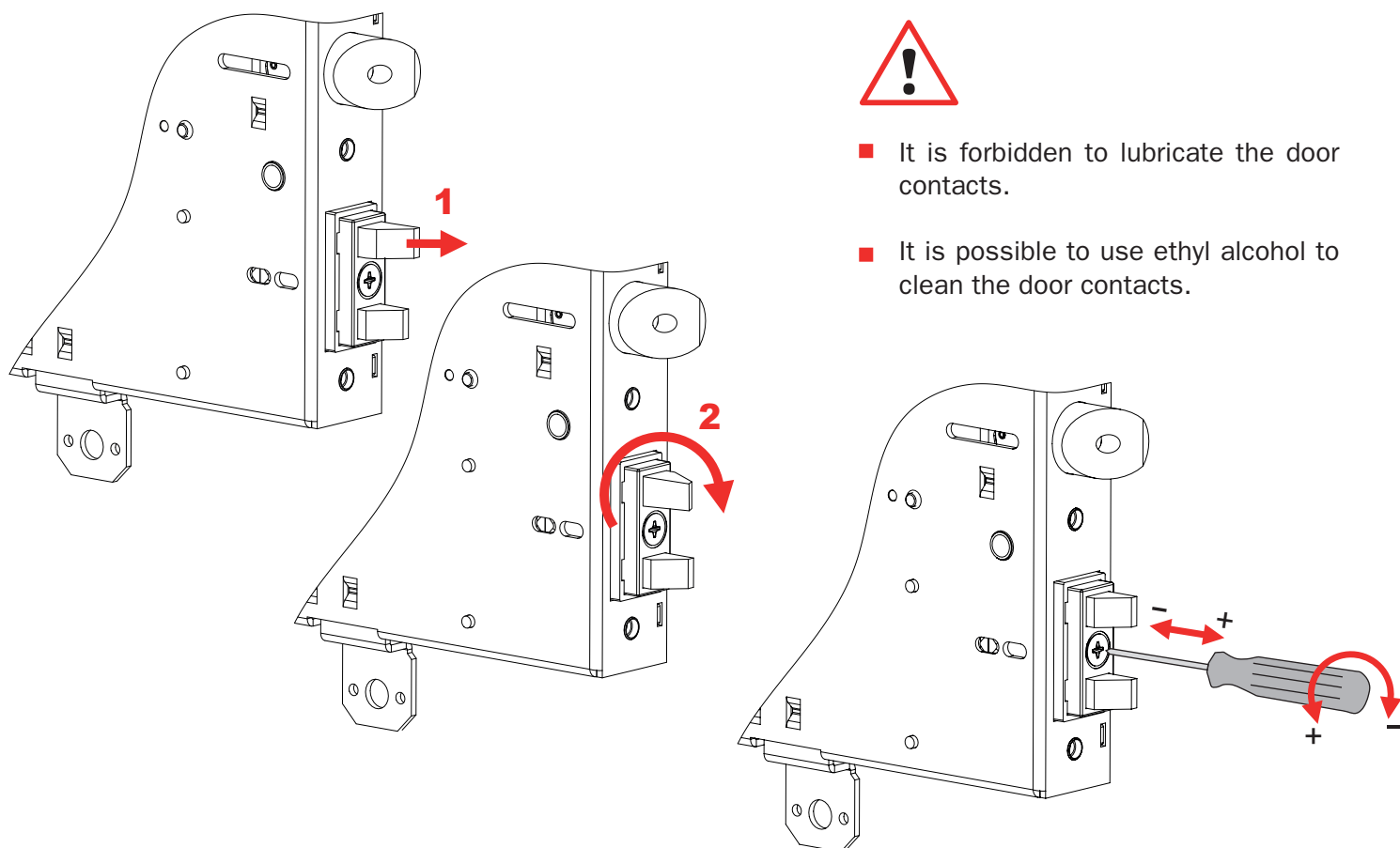
Add the plug indicated in the picture below only for **Single Action** version.



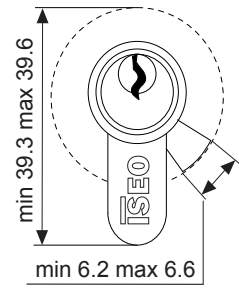
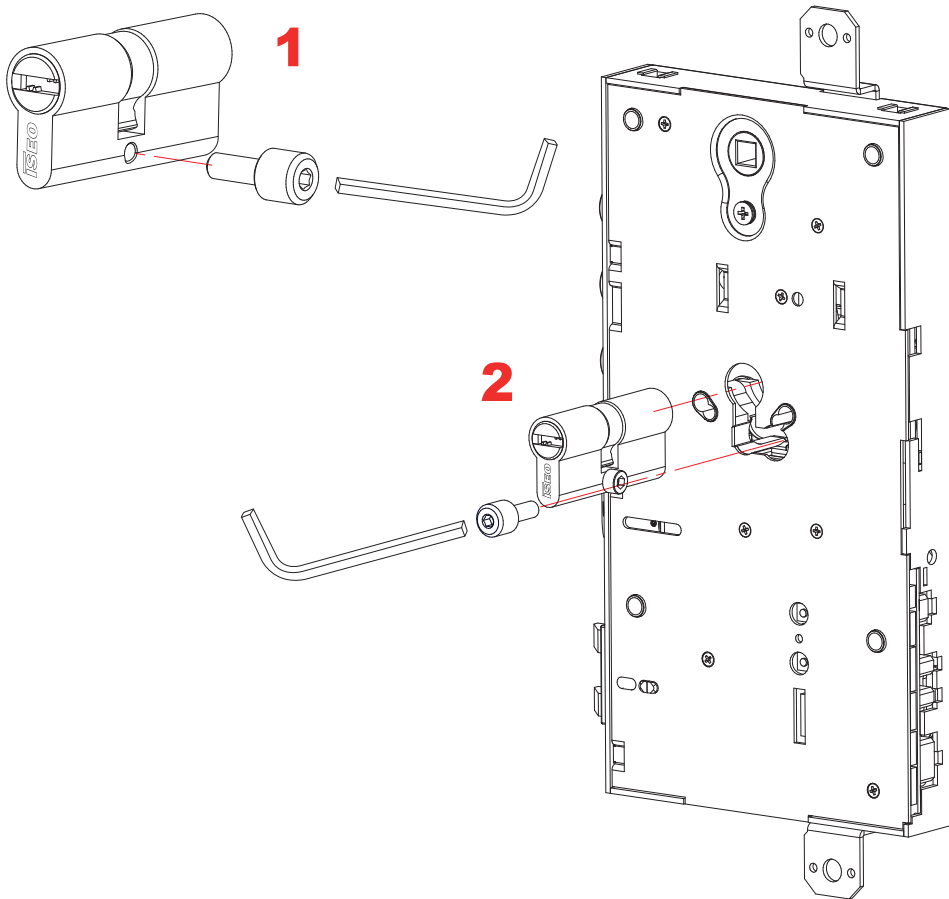
3. LATCH REVERSIBILITY AND ADJUSTMENT



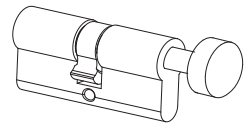
4. DOOR CONTACTS REVERSIBILITY AND ADJUSTMENT



5. CYLINDER FIXING

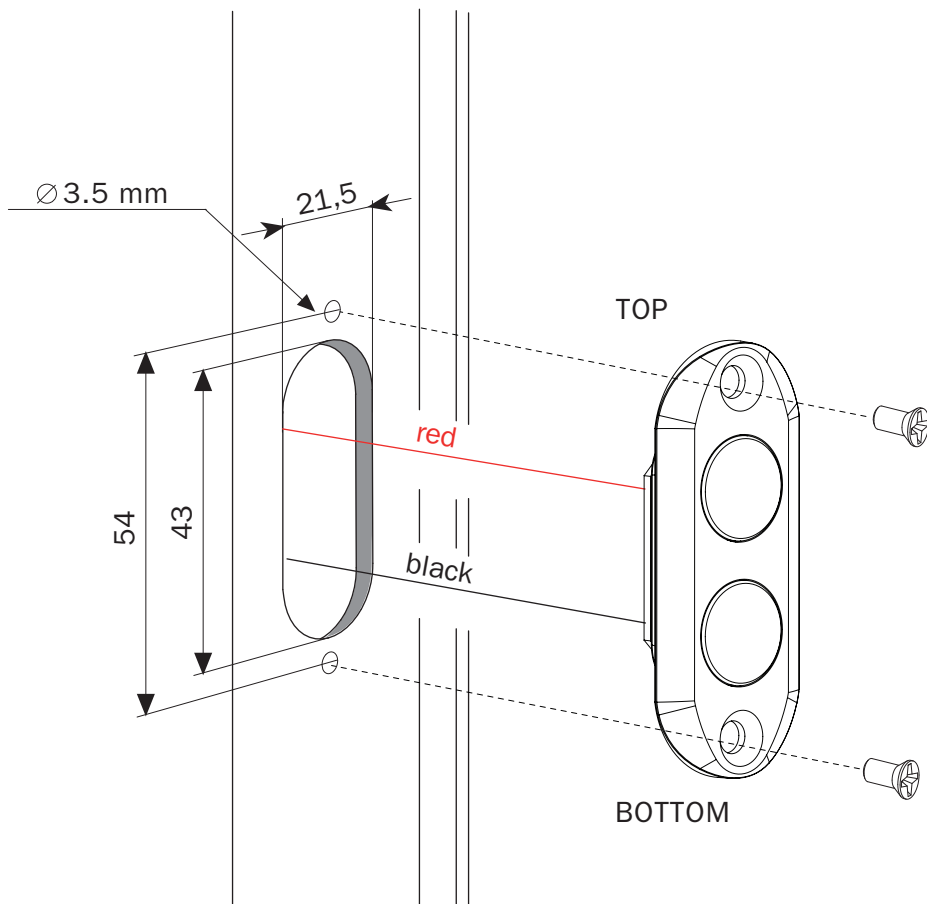


The x1R Smart lock works correctly when using cylinders with standardised profile cams of the size indicated in the above drawing.



When used with cylinder with knobs, make sure that after the cylinder has been turned the cam does not remain engaged, which will cause the motor to rotate in neutral.

6. DOOR CLOSED CONTACTS FIXING



In the case of power supply via door contacts, use an external power supply: 8÷30Vdc (30W).

Low voltage contacts. Do not touch with your fingers. Do not connect to power supply that exceed the indicated ones.

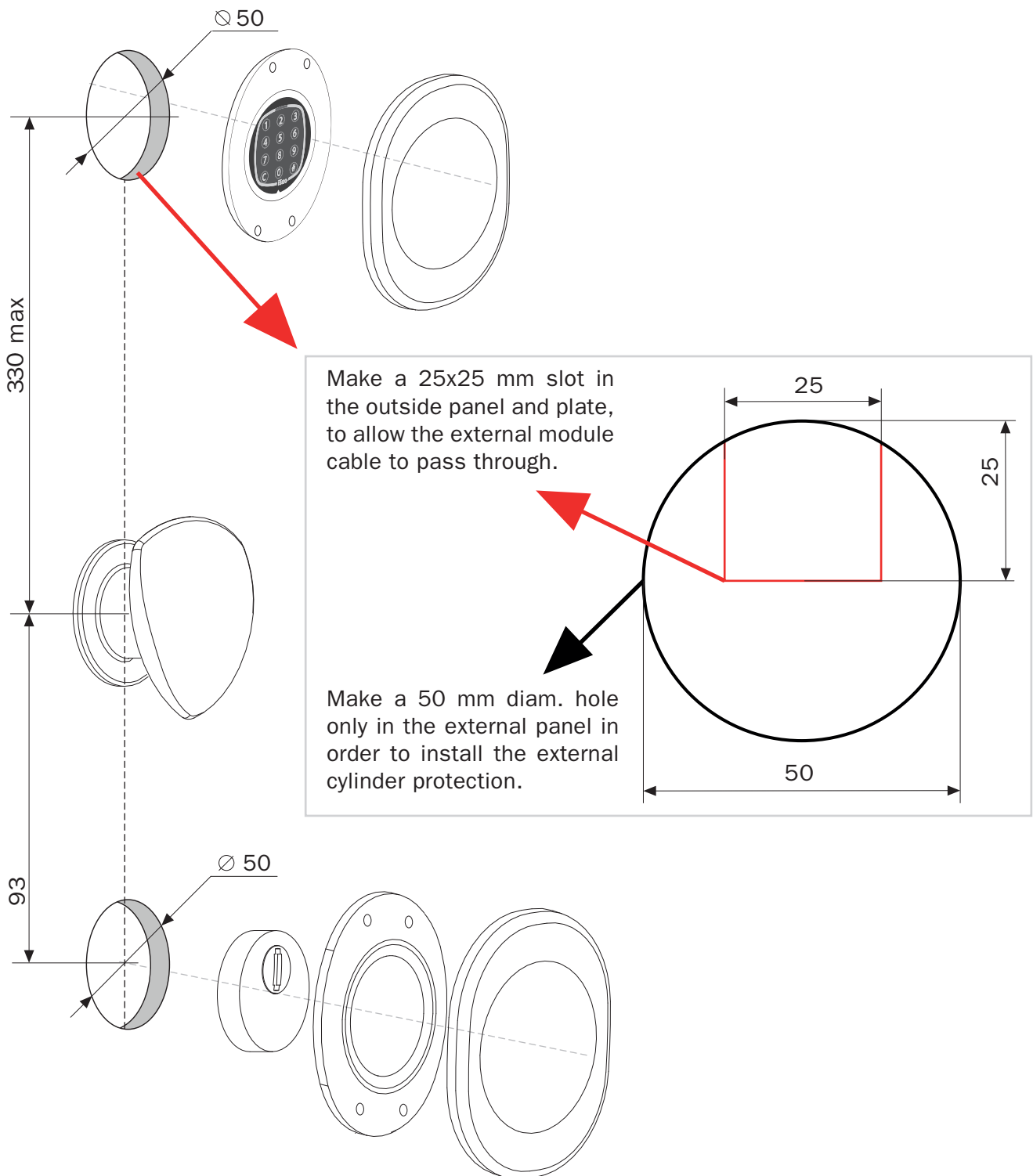
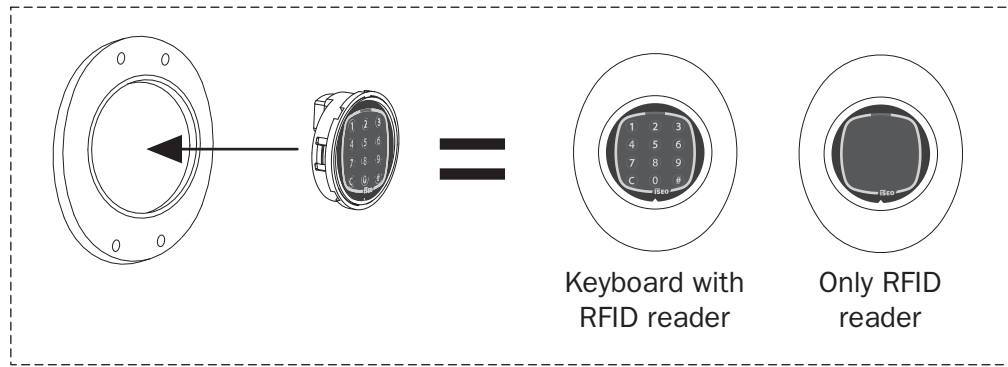
Respect power polarity.

It is forbidden to lubricate the door contacts.

It is possible to use ethyl alcohol to clean the door contacts.

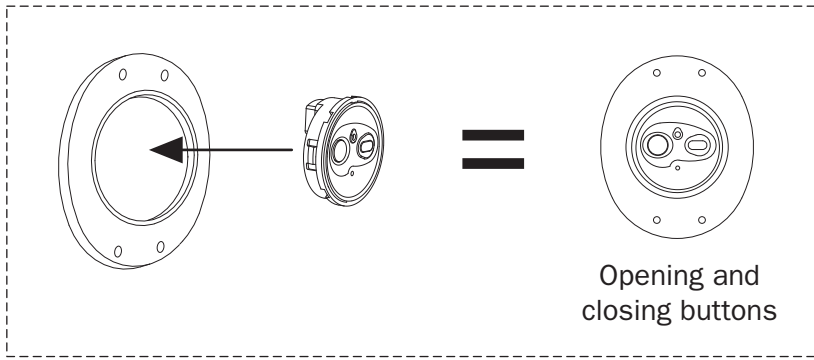
7. EXTERNAL SIDE DOOR ASSEMBLING

External control module assembling on the external panel

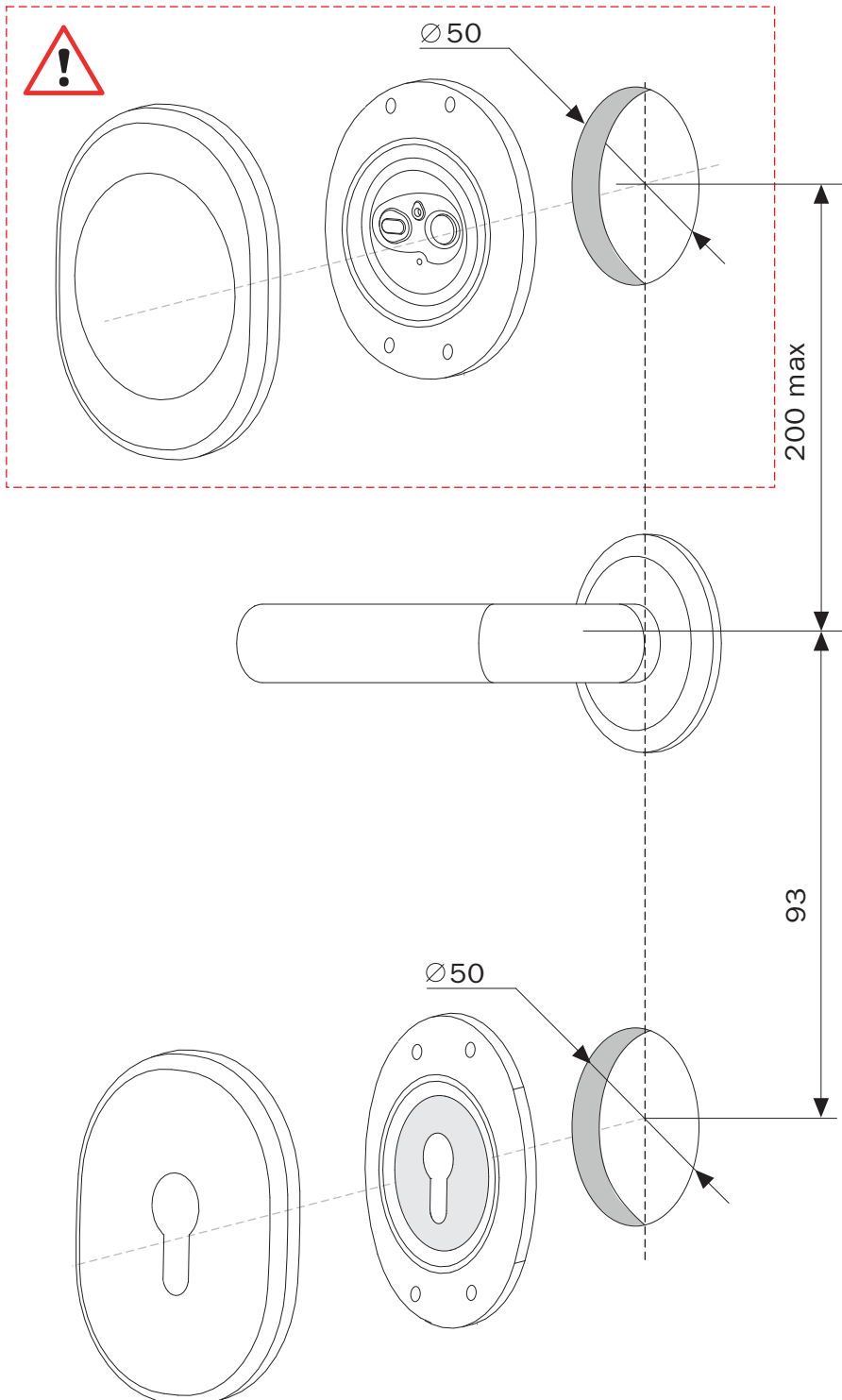


7.1 INTERNAL SIDE DOOR ASSEMBLING

Internal control module assembling on the internal panel



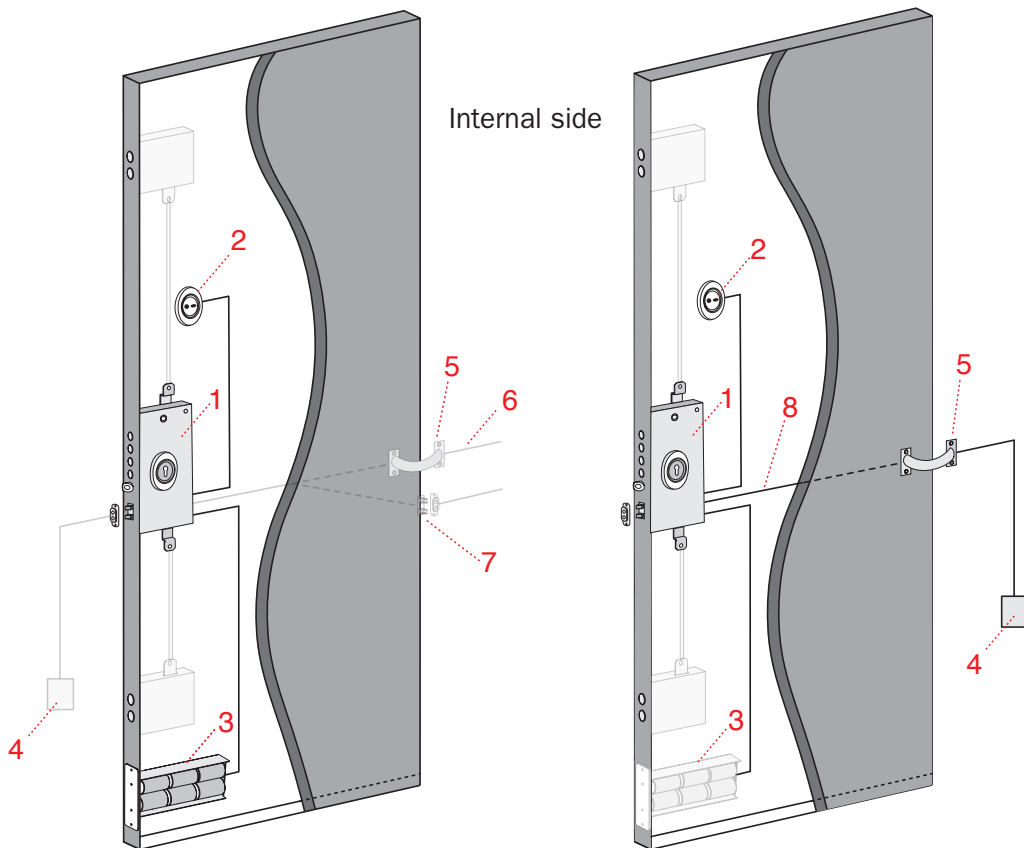
Internal control module is not necessary if **Single Action** version.



8. INSTALLATION EXAMPLES

Batteries power supply +
External power supply (optional)

External power supply +
Backup batteries (optional)

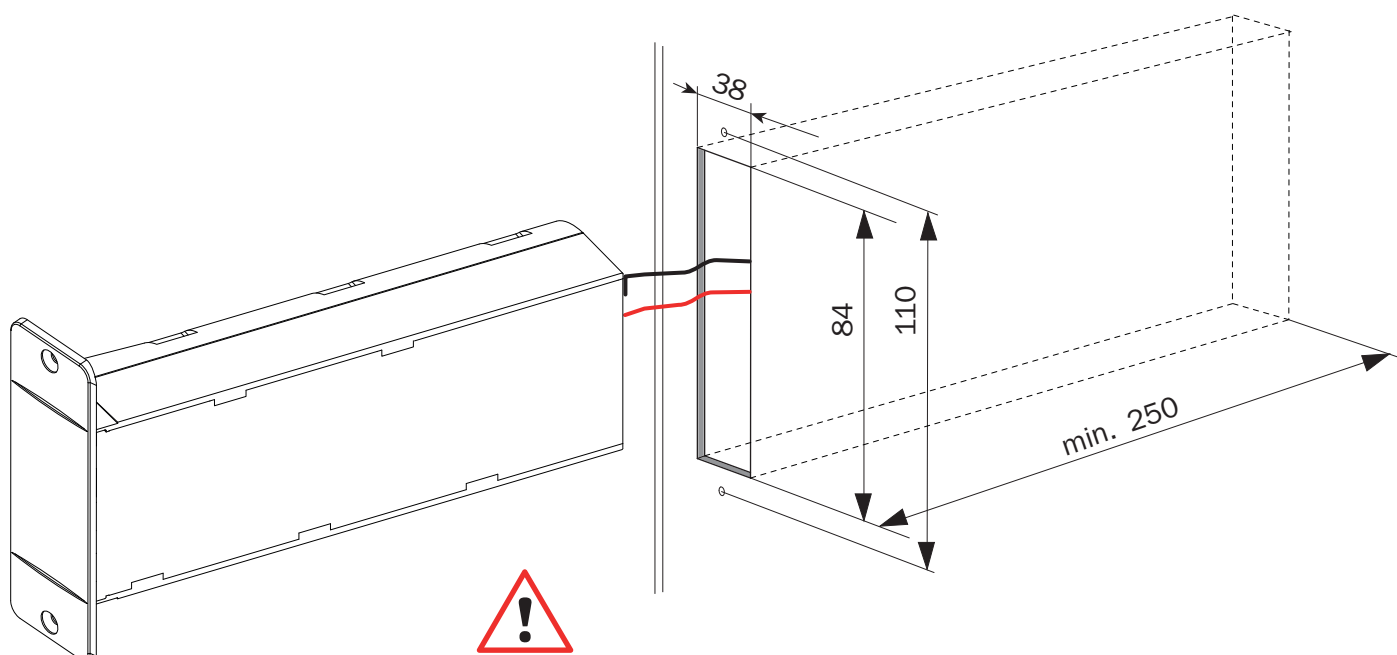


1. x1R Smart lock
2. Control module (only for Standard version)
3. Alkaline batteries
4. Power supply 8-30Vdc/30W
5. Cable gland
6. Bipolar cable connection for remote opening command
7. Bipolar connection cable kit
8. Multifunction connection cable 8 pins.

9. BATTERY HOLDER HOUSING



6 x 1,5V "D" alkaline



Before powering the x1R Smart make sure the red and black wires are intact and the battery housing connector does not come into contact with the door frame in any way.

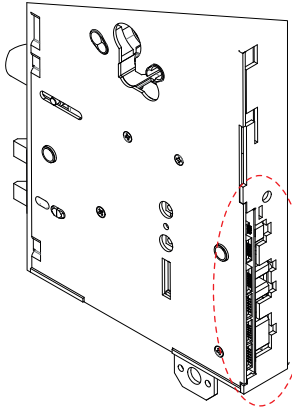
10. ELECTRICAL CONNECTIONS



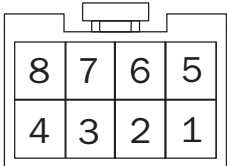
Only to use X1R Smart **without external reader and keyboard** (functioning as an actuator): place the jumper, available in the package, in the PINs 1 and 2 of connector JP1. Take care the jumper is perfectly and securely fitted into the PINs.



Connector JP1:
PINs 1 and 2 closed by jumper



8 pins multifunction cable
male connector
(back side/wires view)

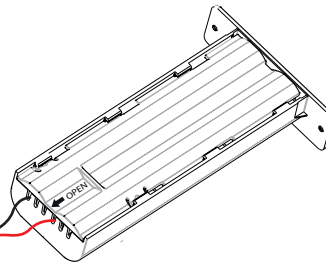


	Color	Description
1	Green	Relay common contact*
2	Orange	Relay normally open contact*
3	Black	- Negative power supply
4	Brown	Opening command 8÷30Vdc/ac
5	Yellow	Relay normally closed contact*
6	White	Not used
7	Red	+ Positive power supply 8÷30Vdc/30W MAX
8	Blue	Opening command 8÷30Vdc/ac

* Relay: 30Vdc - 1A / 125Vac - 0,3A MAX

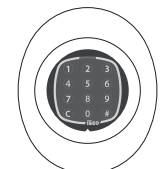
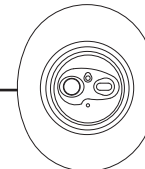


6 x 1,5V "D" alkaline



internal module

external module



keyboard and RFID reader cable



remote opening command
NA (not supplied).

brown (4)

blue (8)



8÷30Vdc/ac

Bluetooth radio cable



To know more about the connections of the 8 pins multifunction cable and X1R Smart as actuator, refer to the user manual, available at link "app.iseo.com".